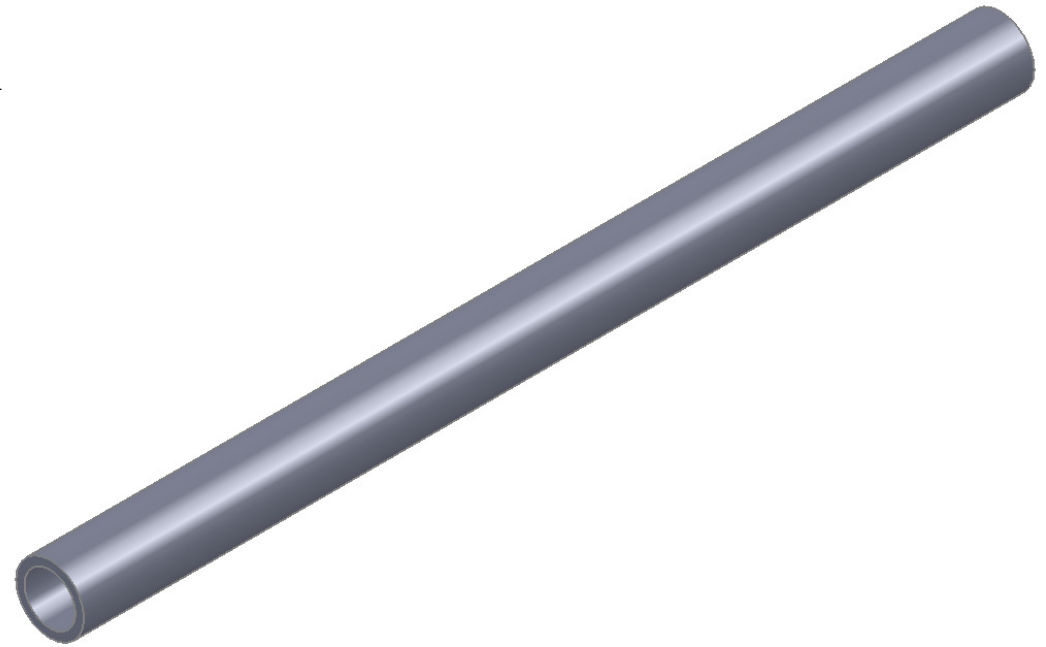
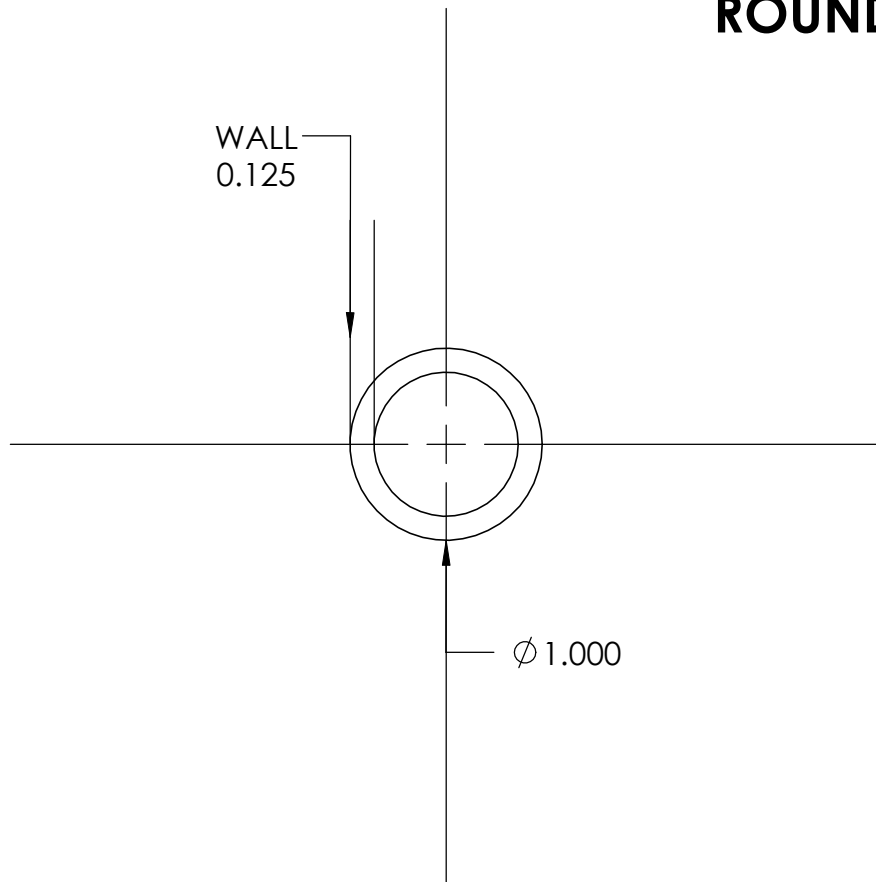

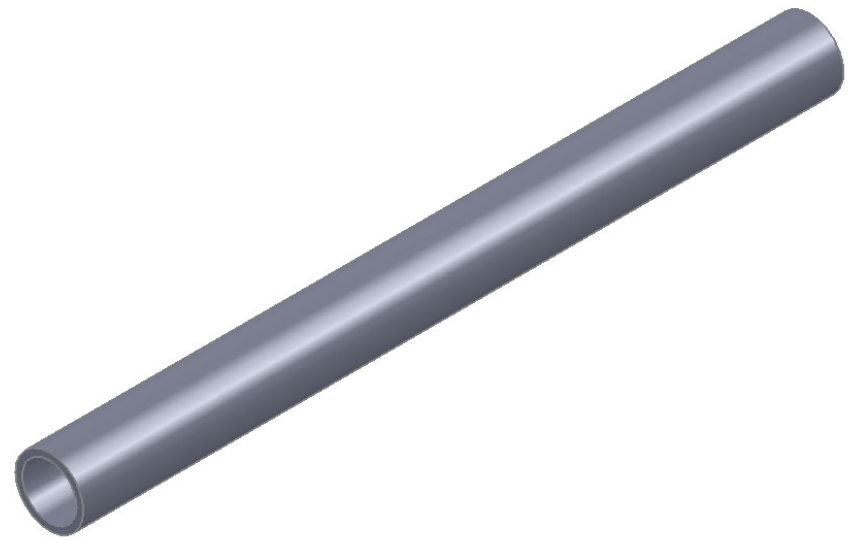
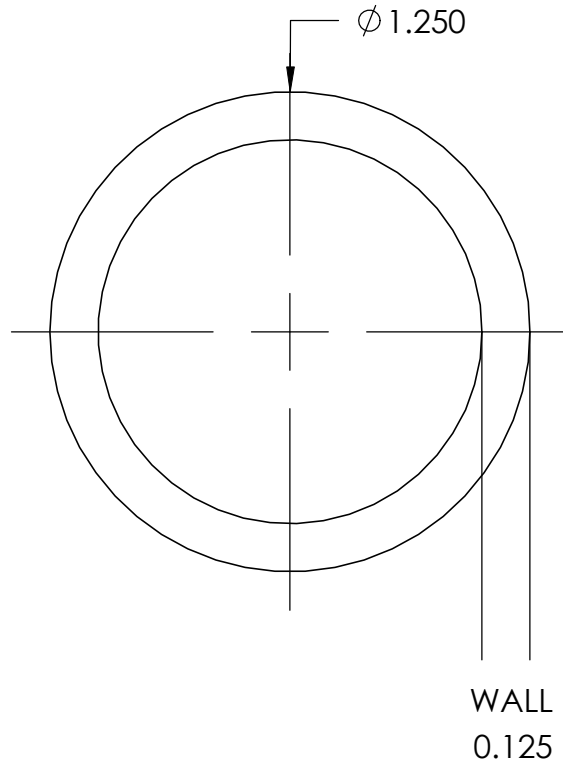



ROUND TUBE 1 x 1/8"



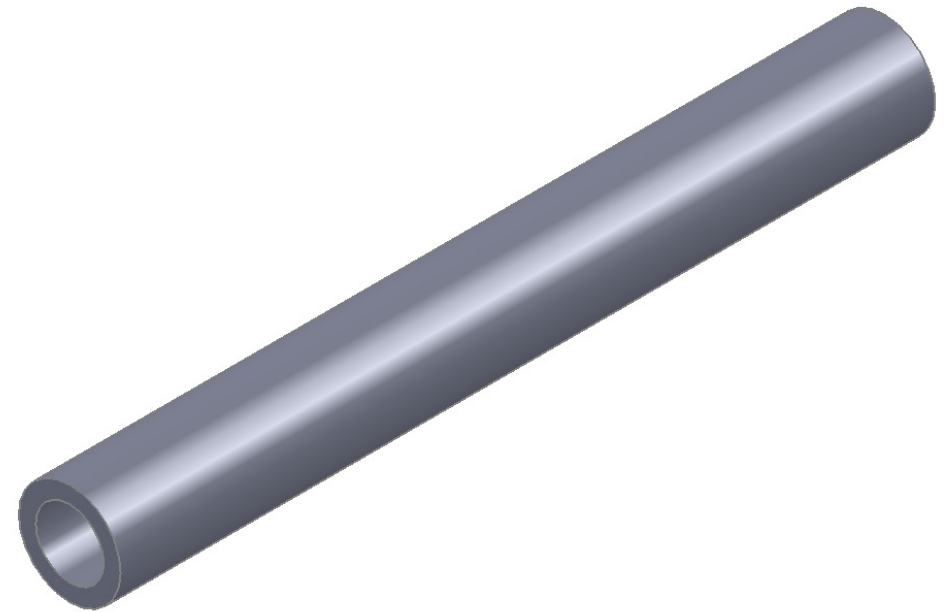
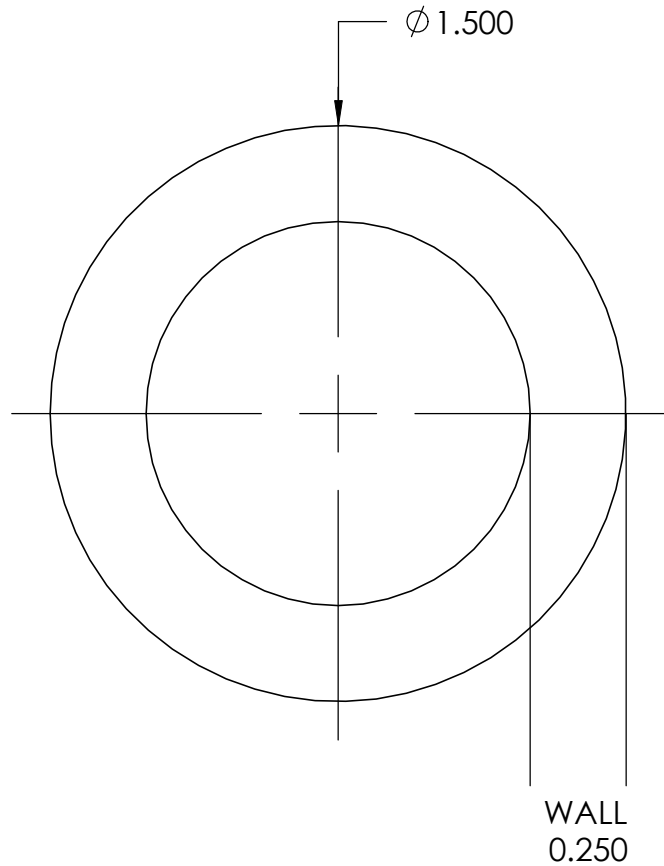
Wt/ft . = 0.25 lbs.	lx = 0.034 in ⁴	Material: Fiberglass Structure	FASTEC DE MEXICO S.A. DE C.V.		
bf/ft = -----	sx = 0.07 in ³				
Fb = ----- psi.	ly = ----- in ⁴	Date of elaboration: December, 2012			
Aw = 0.34 in ²	J = ----- in ⁴	Elaborated: ING. V.P.B.A.			
ROUND TUBE CODES :		Approved:	Drawing name: ROUND TUBE 1 x 1/8"		
50-0700	52-0700		Project name:	Drawing number:	
1.00x0.125 S.P.	1.00x0.125 P.F.R.	1.00x0.125 V.E.F.R.	Units: inches	Scale: NTS	PAGE 1 DE 1


ROUND TUBE 1 1/4" X 1/8"



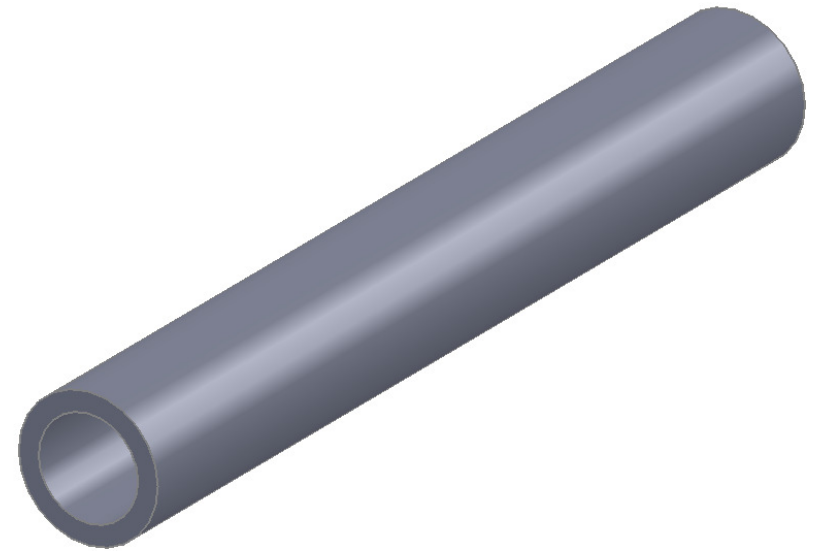
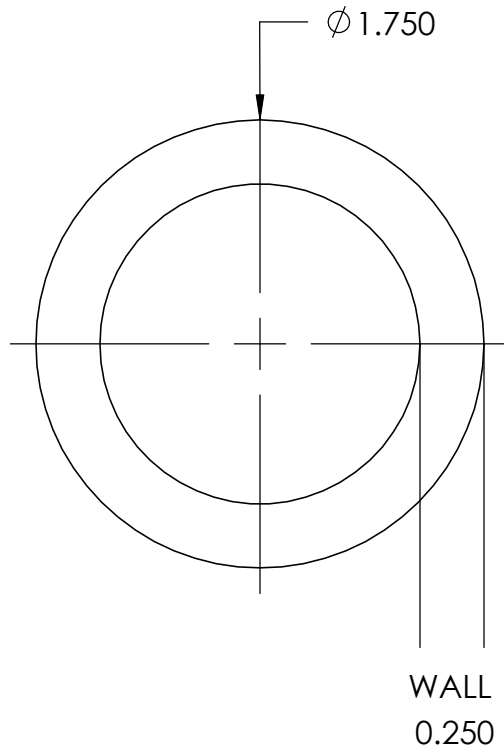
Wt/ft . = 0.32 lbs.	lx = 0.07 in ⁴	Material: Fiberglass Structure	FASTEC DE MEXICO S.A. DE C.V.		
bf/ft = ----	sx = 0.11 in ³				
Fb = ---- psi.	ly = ---- in ⁴	Date of elaboration: December, 2012	 Drawing name: ROUND TUBE 1 1/4" X 1/8"		
Aw = 0.44 in ²	J = ---- in ⁴	Elaborated: ING. V.P.B.A.			
ROUND TUBE CODES :		Approved:	Project name:	Drawing number:	
50-0701	52-0701	62-0701			
1.25x0.125 S.P.	1.25x0.125 P.F.R.	1.25x0.125 V.E.F.R.	Units: inches	Scale: NTS	PAGE 1 DE 1


ROUND TUBE 1 1/2 x 1/4"



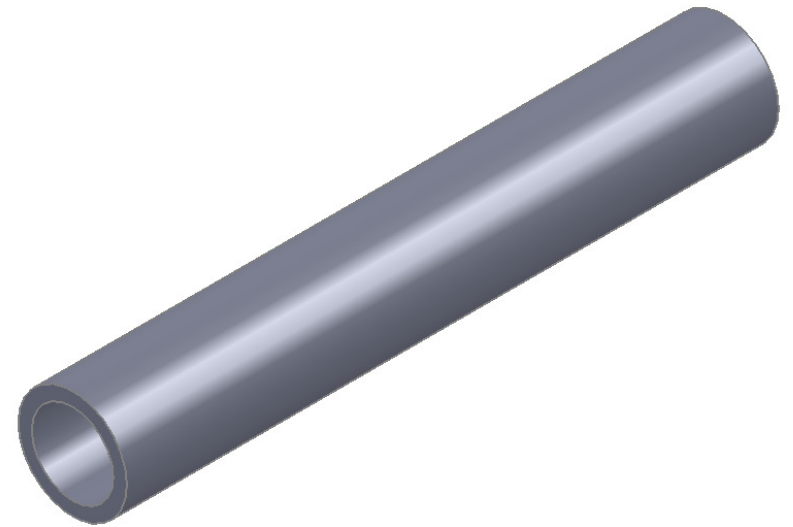
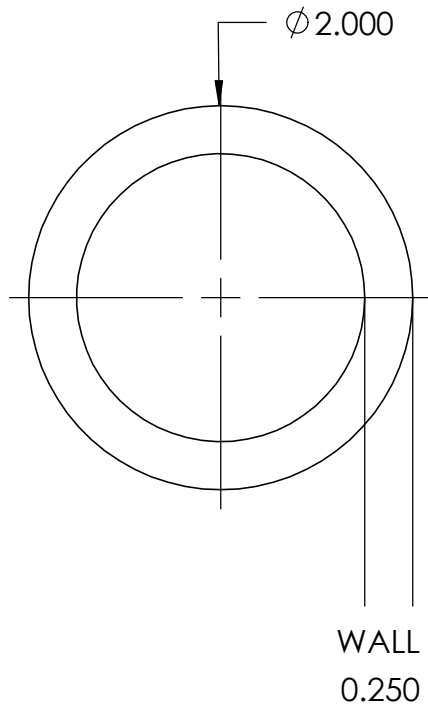
Wt/ft . = 0.79 lbs.	lx = 0.20 in ⁴	Material: Fiberglass Structure	FASTEC DE MEXICO S.A. DE C.V.	
bf/ft = ----	sx = 0.27 in ³			
Fb = ---- psi.	ly = ---- in ⁴	Date of elaboration: December, 2012		
Aw = 0.98 in ²	J = ---- in ⁴	Elaborated: ING. V.P.B.A.		
ROUND TUBE CODES : 50-0702	52-0702	Approved:	Drawing name: ROUND TUBE 1 1/2 x 1/4"	
1.50 x 0.250 S.P.	1.50 x 0.250 P.F.R.	1.50 x 0.250 V.E.F.R.	Project name:	Drawing number:
Units: inches			Scale: NTS	PAGE 1 DE 1

ROUND TUBE 1 3/4" X 1/4"



Wt/ft . =	0.94	lbs.	lx =	0.34	in ⁴	Material: Fiberglass Structure	FASTEC DE MEXICO S.A. DE C.V.				
bf/ft =	----		sx =	0.39	in ³		Date of elaboration: December, 2012				
Fb =	----	psi.	ly =	----	in ⁴	Elaborated: ING. V.P.B.A.				Drawing name:	
Aw =	1.18	in ²	J =	----	in ⁴		Approved:	ROUND TUBE 1 3/4" X 1/4"			
ROUND TUBES CODES :						Project name:		Drawing number:			
50-0703			52-0703			62-0703					
1.75x0.250 S.P.			1.75x0.250 P.F.R.			1.75x0.250 V.E.F.R.			Units: inches	Scale: NTS	PAGE 1 DE 1

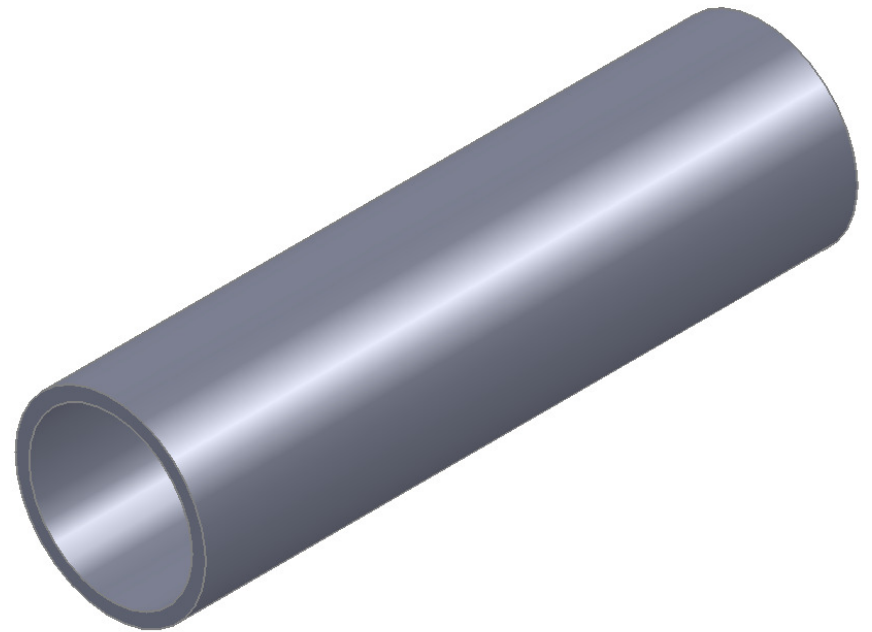
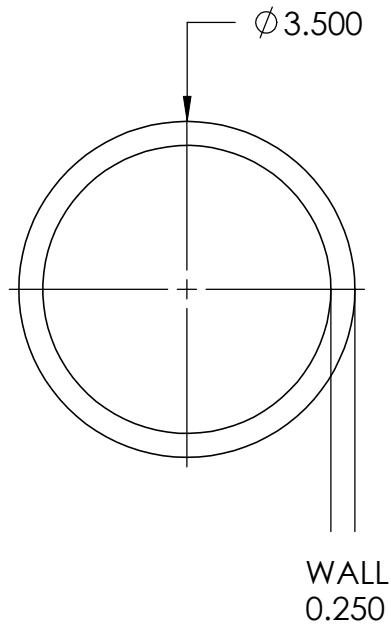
ROUND TUBE 2 x 1/4"




Wt/ft . = 1.12 lbs.	lx = 0.54 in ⁴	Material: Fiberglass Structure	FASTEC DE MEXICO S.A. DE C.V.		
bf/ft = -----	sx = 0.54 in ³				
Fb = ----- psi.	ly = ---- in ⁴	Date of elaboration: December, 2012	Drawing name: ROUND TUBE 2 x 1/4"		
Aw = 1.37 in ²	J = ---- in ⁴	Elaborated: ING. V.P.B.A.			
ROUND TUBE CODES: 50-0704 52-0704 62-0704		Approved:	Project name:	Drawing number:	
2.00x0.250 S.P.	2.00x0.250 P.F.R.	2.00x0.250 V.E.F.R.	Units: inches	Scale: NTS	PAGE 1 DE 1



ROUND TUBE 3 x 1/4"



Wt/ft . = 1.70 lbs.	lx = 2.06 in ⁴	Material: Fiberglass Structure	FASTEC DE MEXICO S.A. DE C.V.		
bf/ft = -----	sx = 1.37 in ³				
Fb = ----- psi.	ly = ----- in ⁴	Date of elaboration: December, 2012	 Drawing name: ROUND TUBE 3 x 1/4"		
Aw = 2.16 in ²	J = ----- in ⁴	Elaborated: ING. V.P.B.A.			
ROUND TUBE CODES :		Approved:	Project name:	Drawing number:	
50-0705	52-0705	62-0705			
3.00x0.250 S.P.	3.00x0.250 P.F.R.	3.00x0.250 V.E.F.R.	Units: inches	Scale: NTS	PAGE 1 DE 1